

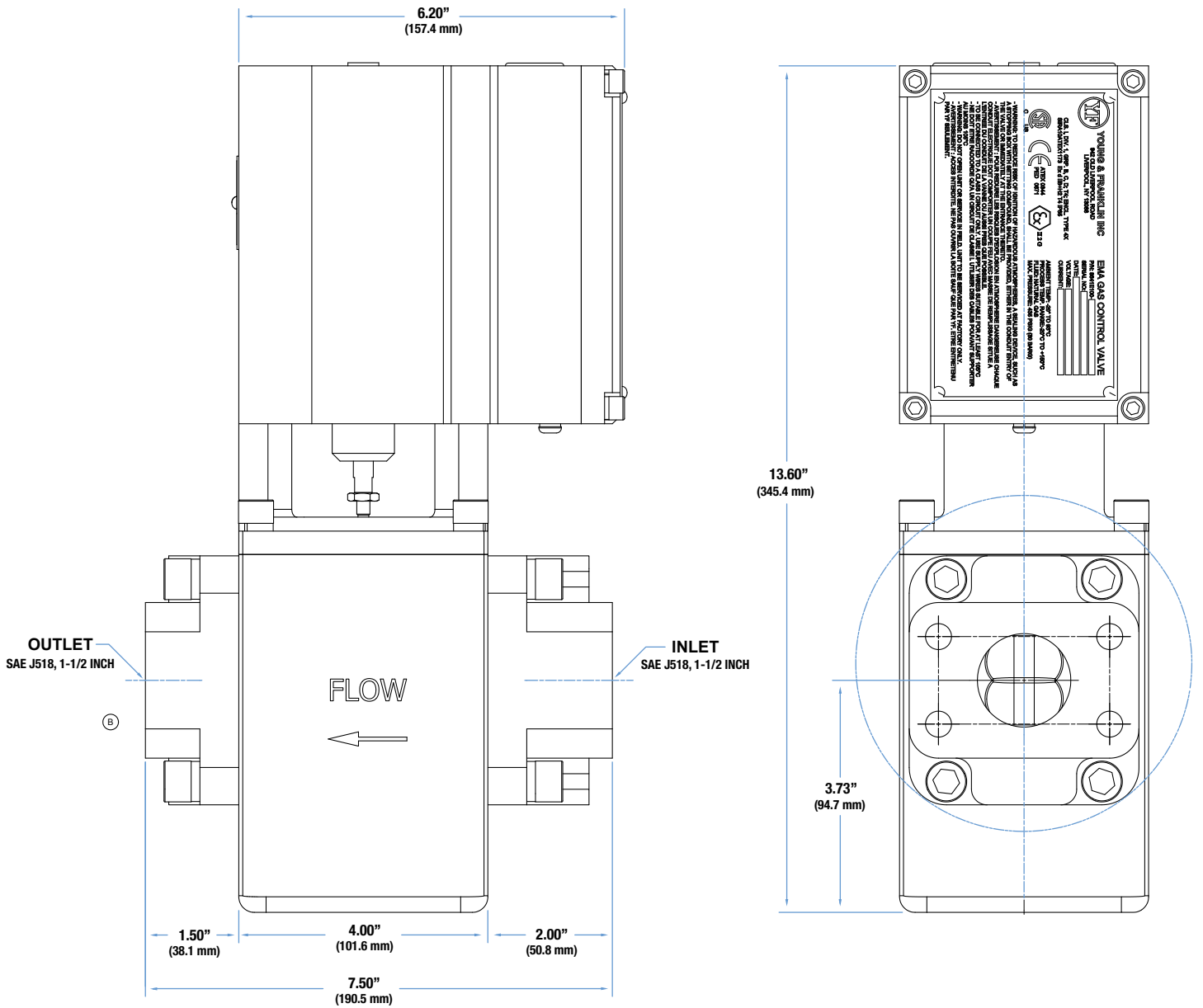
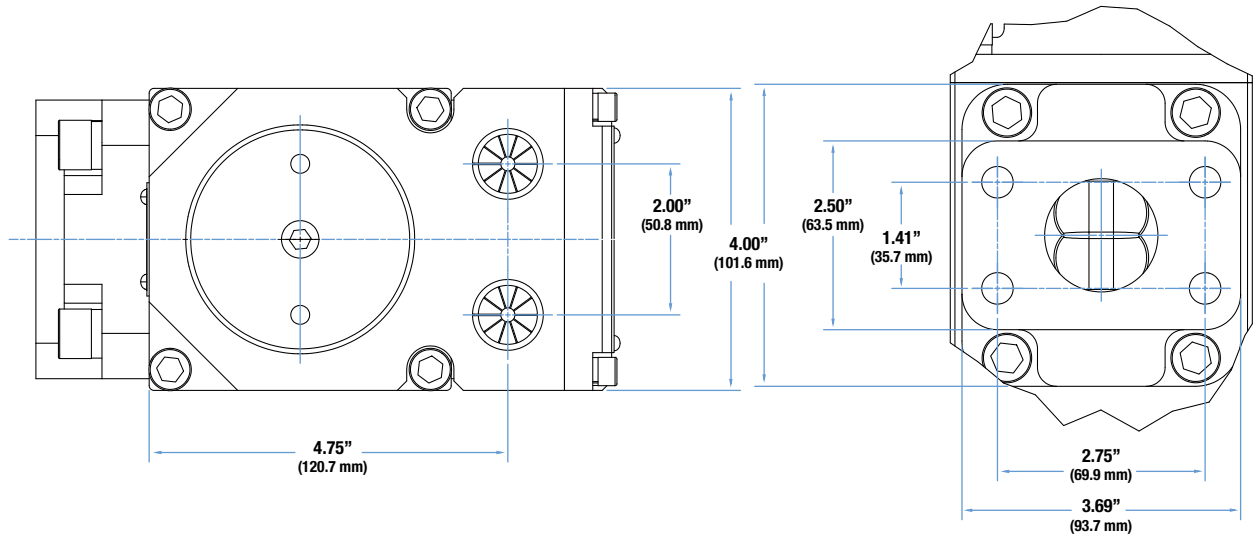


8641 Series Integrated Natural Gas Fuel Control Valve



Designed by Y&F for use on Solar Centaur,
Saturn, Taurus and Mars gas turbines

8641 Series Dimensions



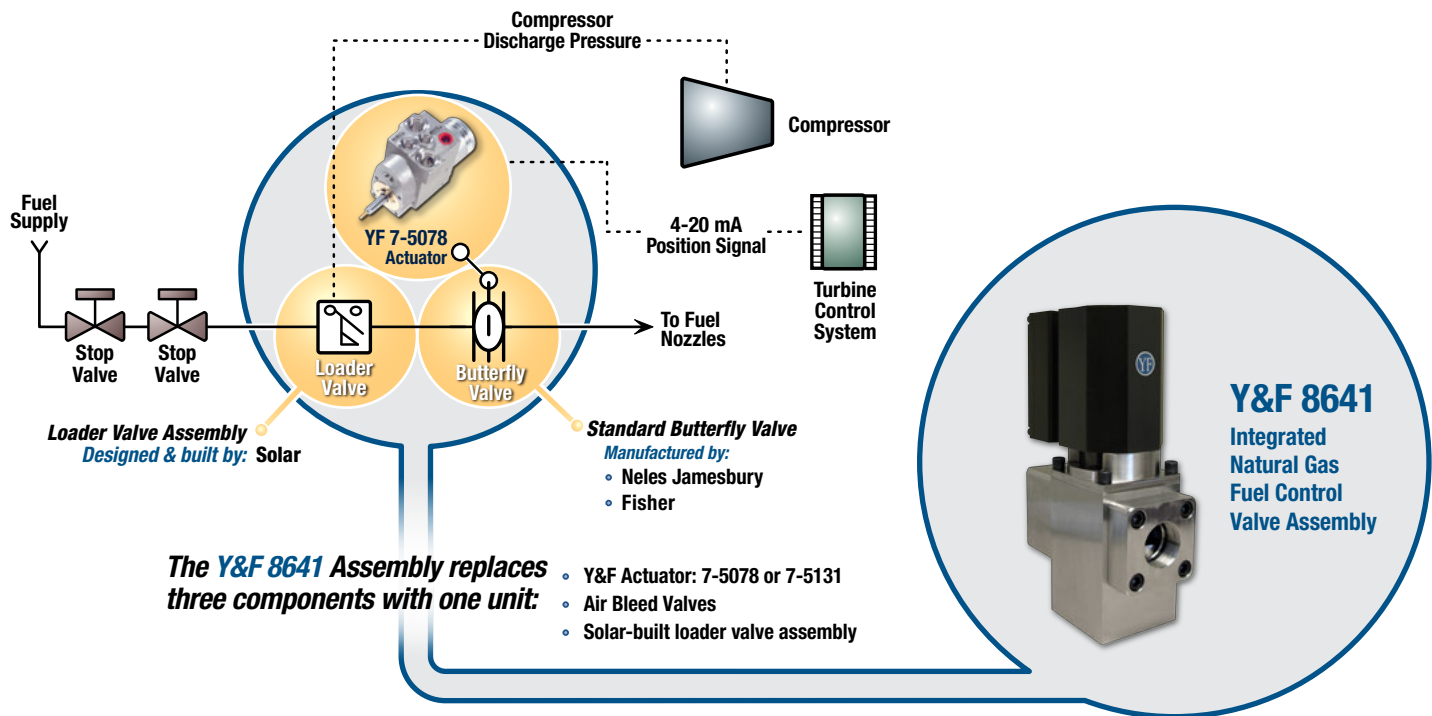
Specifications: 8641 Series Integrated Natural Gas Fuel Control Valve Assembly

Power	120 Volt DC Nominal (80-180 Volt DC Range). Also operates on AC
Motor position	4-20 mA command
Minimum/Maximum pressure	0-435 psi(g)
Minimum/Maximum fuel temp	-40°C to +150°C (-40 to +302°F)
Rated flow	6000 pph
Valve body material	Stainless Steel
Compliance	NACE IV
Slew Rate	< 100 Milliseconds Full Stroke
Response time	< 20 msec.
Options	RF 600# ANSI Flanges, 24VDC Nominal, (18 - 30 Volt DC Range), also operates on AC
Options	NACE available



 Ex II 2 G, Ex d IIB+H2 T4
 
 Class I, Division 1, Group B, C and D; T4; Encl.Type 4X:

Young & Franklin, Inc. has developed a retrofit solution for replacing the Y&F 7-5078 (as a Gas Control Valve Actuator), the Butterfly Valve, and the Solar pressure regulating “Loader” Valve in the Gas Fuel Supply line of Solar Saturn/Taurus/Centaur/Mars family of turbines.



Gas Fuel Supply Line of **Solar** Saturn/Taurus/Centaur/Mars Family of turbines